

QRNG[®] Series Model QRNG 216

Parts Manual
Record of Change 102

This manual contains important safety information and must be carefully read in its entirety and understood prior to installation by all personnel who install, operate and/or maintain this product.

On-line product registration, parts ordering and warranty information is available at www.quincycompressor.com

Manual No. 2022204000

July 2014 Edition

INTRODUCTION

This manual provides information for the QRNG Series, Model QRNG216 natural gas compressor per Record of Change 102.

The Model QRNG216 natural gas compressor is an aircooled, single stage, two cylinder, pressure lubricated compressor, capable of handling inlet pressures of -75 PSIG (15 in. mercury) up to 50 PSIG. Up to 150 PSIG of discharge pressure can be produced. It has a 3" bore, with a 2 1/2" stroke and can be run at 400-900 RPM.

CHANGES

since previous printing dated March 2014:

The bearing carrier group was redesigned with a new oil pump including an oil filter.

TABLE OF CONTENTS

- Ordering Replacement Parts 1
- Serial Number Identification..... 1
- Crankcase Lubricant Capacity 1
- Bearing Carrier Group..... 2
- Crankcase Group..... 3
- Crankshaft Group..... 4
- Connecting Rod & Piston Group 5-6
- Cylinder & Head Groups 7-10
- Head Assemblies 11-12
- Control Group..... 13
- Vent Piping Groups 14-15
- Recommended Spare Parts 16
- Quin-Cip Lubricant..... 16
- Decals..... 16
- Gasket Set..... 16

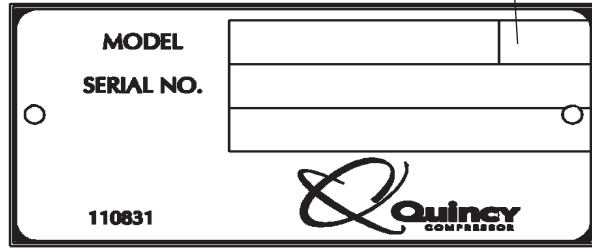
ORDERING REPLACEMENT PARTS

Prompt service can be rendered on repair parts orders if the following information is given:

- Item 1)** the model number, record of change number, & serial number.
- Item 2)** the exact part number needed. (Do not order by item numbers.)
- Item 3)** the exact quantity needed.
- Item 4)** the preferred type of transportation.

MODEL & SERIAL NUMBER IDENTIFICATION

Record of Change No.



Model & Serial Number Identification Tag

The serial number identification tag is located on the hand hole plate side of the crankcase. *Fill in the numbers from your compressor in the corresponding spaces provided here, and reference this page when ordering replacement parts.*

All replacement parts are to be ordered through an authorized Quincy gas application distributor. Insist on genuine Quincy parts only! Failure to do so may void warranty.

CRANKCASE LUBRICANT CAPACITY

Model	Capacity
QRNG 216	1 Qt - 22 Oz. (1.6 lit.)

CAUTION !

Refer to the Quincy QRNG Series instruction manual for vital lubrication information.

WARNING !

Follow all safety precautions outlined in the Quincy QRNG Series instruction manual.

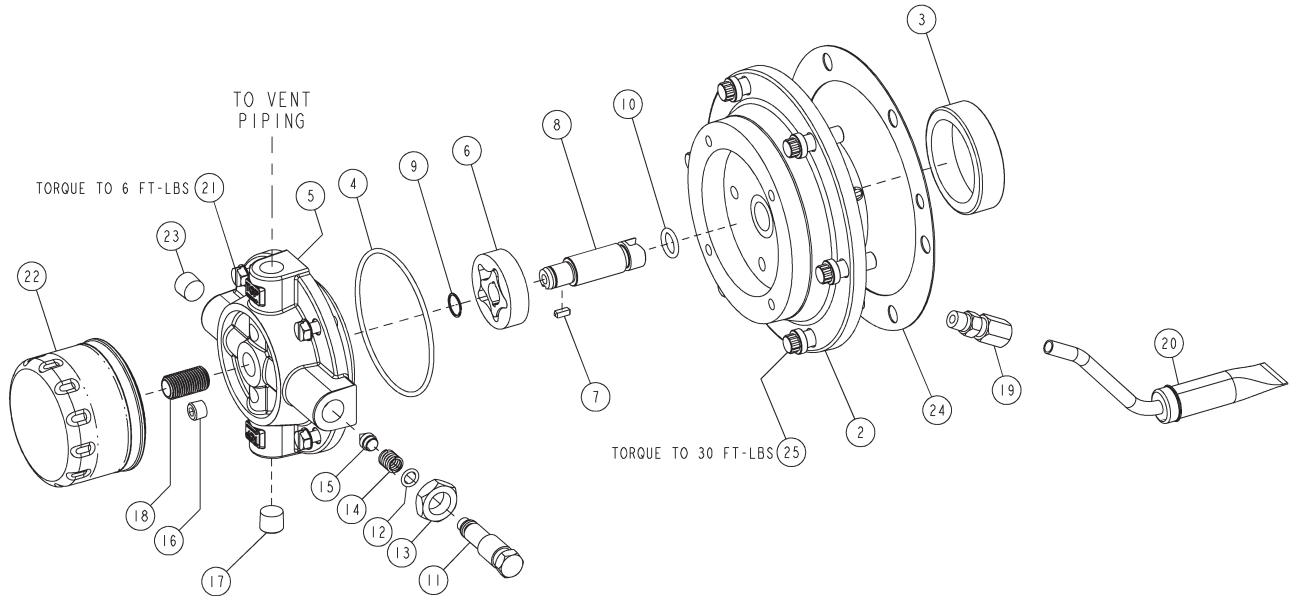
CAUTION !

Do not operate this compressor without a totally enclosed belt guard or any other required safety equipment.

DANGER !

Air used for breathing or food processing must meet OSHA 1910.134 or FDA 21 CFR 178.3570 regulations. Failure to do so may cause severe injury or death.

BEARING CARRIER GROUP 2021028606



2024400361 BEARING CARRIER GROUP			
ITEM	PART NUMBER	QTY	DESCRIPTION
1	2024400351	1	BEARING CARRIER ASSEMBLY (N.S.S. - ORDER KIT)
2	2024400301	1	BEARING CARRIER
3	4018	1	BEARING CUP
4	22749-152	1	O-RING, VITON
5	2024400601	1	OIL PUMP HOUSING
6	160003	1	OIL PUMP
7	160075-001	1	KEY
8	2024200202	1	OIL PUMP DRIVESHAFT
9	6285	1	RETAINING RING
10	22749-112	1	O-RING, VITON
11	5489	1	ADJUSTMENT SCREW
12	22749-011	1	O-RING, VITON
13	124369-P02	1	JAM NUT
14	1160	1	SPRING
15	112857	1	NEEDLE VALVE
16	27555	1	PIPE PLUG, 1/8 NPT
17	2719	1	PIPE PLUG, 1/4 NPT
*	18	2023400200	FILTER STUD
**	19	126353-009	TUBE FITTING, MALE CONNECTOR, 5/16 TUBE X 1/8 NPT
***	20	2023400001	OIL PICKUP TUBE WITH SCREEN
	21	123777-J10	4 MACHINE SCREW
	22	2023400100	1 OIL FILTER
*	23	2719	1 PIPE PLUG, 1/4 NPT
	24	6274-1	1 GASKET
	25	2024812134	6 12PT SCREW, 3/8-16 UNC X 1.00, GRADE 8
MAINTENANCE PARTS			
	2023400101		10 PACK OF OIL FILTERS
REPLACEMENT KITS			
	2024400381		BEARING CARRIER ASSEMBLY REPLACEMENT KIT INCLUDES BEARING CARRIER ASSEMBLY, FILTER, PLUG, AND GASKET

* INSTALL WITH PIPE SEALANT
 ** INSTALL WITH RETAINING COMPOUND
 *** INSTALL WITH PIPE SEALANT ON NPT & THREADLOCKER ON NUT
 N.S.S. = NOT SOLD SEPARATE
 TORQUE VALUES ARE FOR DRY THREADS. TIGHTEN MULTIPLE BOLTS, CAPSCREWS, AND HEX NUTS
 IN A CRISS-CROSS PATTERN. BRING EACH FASTENER TO THE RECOMMENDED TORQUE
 SPECIFICATION IN EVEN INCREMENTS.

CRANKCASE GROUP 2021021703

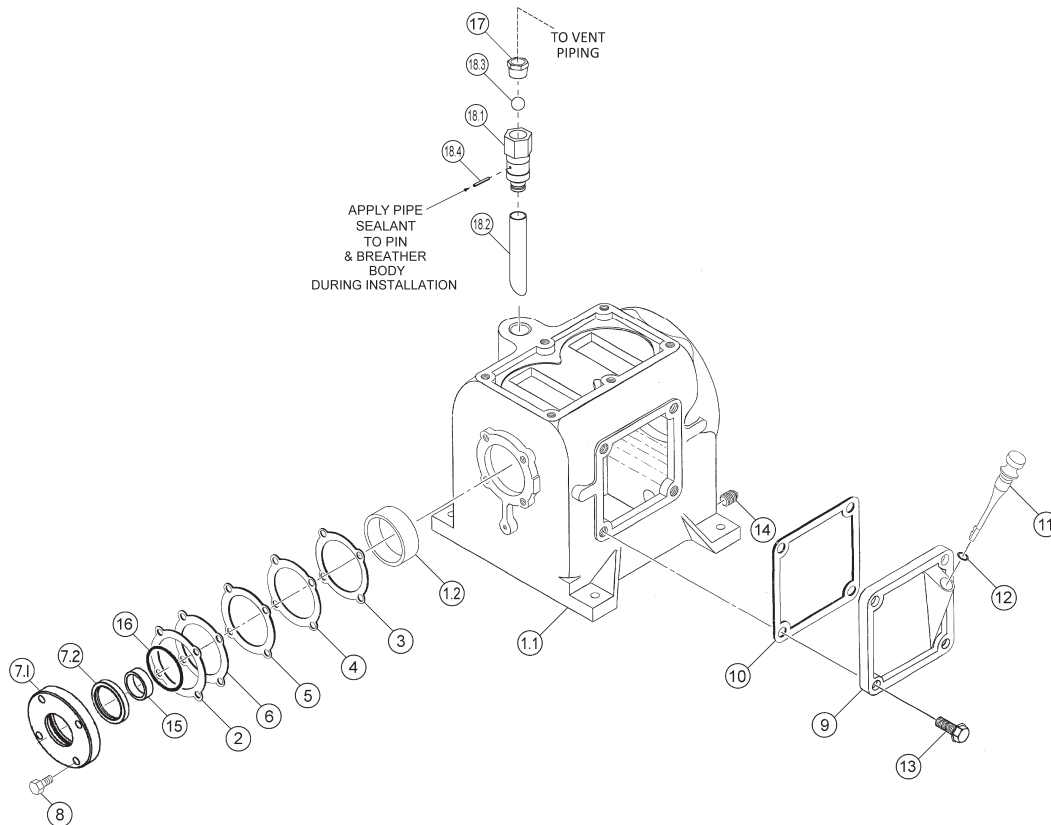
Item Number	Qty.	Part Number	Description
1	1	5513X002	crankcase assembly
1.1	1	5513-002	crankcase
1.2	1	2523	bearing cup
2	*	1832D	shim, bearing adjustment, .002 steel
3	*	1832	shim, bearing adjustment, .005, steel
4	*	1832A	shim, bearing adjustment, .007, steel
5	*	1832B	shim, bearing adjustment, .020, steel
6	*	1832C	shim, bearing adjustment, .005, paper
7	1	2024318750	adjustment plate assembly
7.1	1	2024318700	plate, adjustment (.0015/.003 crankshaft end play)
§ 7.2	1	2024721601	oil seal
8	4	142578-L10	hex. screw, 3/8-16 unc x .75, grade 5 (@ 30 ft.-lbs.)
9	1	2321-001	inspection plate
10	1	1598	gasket, inspection plate
11	1	111876-5	oil gauge
12	1	22749-112	"o"ring, 3/32 wide x .69 o.d.
13	4	114629	hex. screw, 5/16-18 unc x 1.00, grade 5 (@ 150 in.-lbs.)
‡ 14	1	1301	pipe plug, 3/8 npt
15	1	2023346104	shaft sleeve
16	1	0663211860	"o"ring, 1/16 wide x 2.62 o.d.
17	1	125868-002	tube fitting, 90° male elbow, 1/4 tube x 3/8 npt
18	1	112031X001	breather assembly
18.1	1	112031-001	breather body
18.2	1	112032-001	breather tube
18.3	1	5783-002	ball
18.4	1	110705-C11	roll pin

* Quantity as required

@ Indicates torque value (dry threads)

§ Installation tool 2025065701 required for oil seal replacement.

‡ Install with thread sealant.

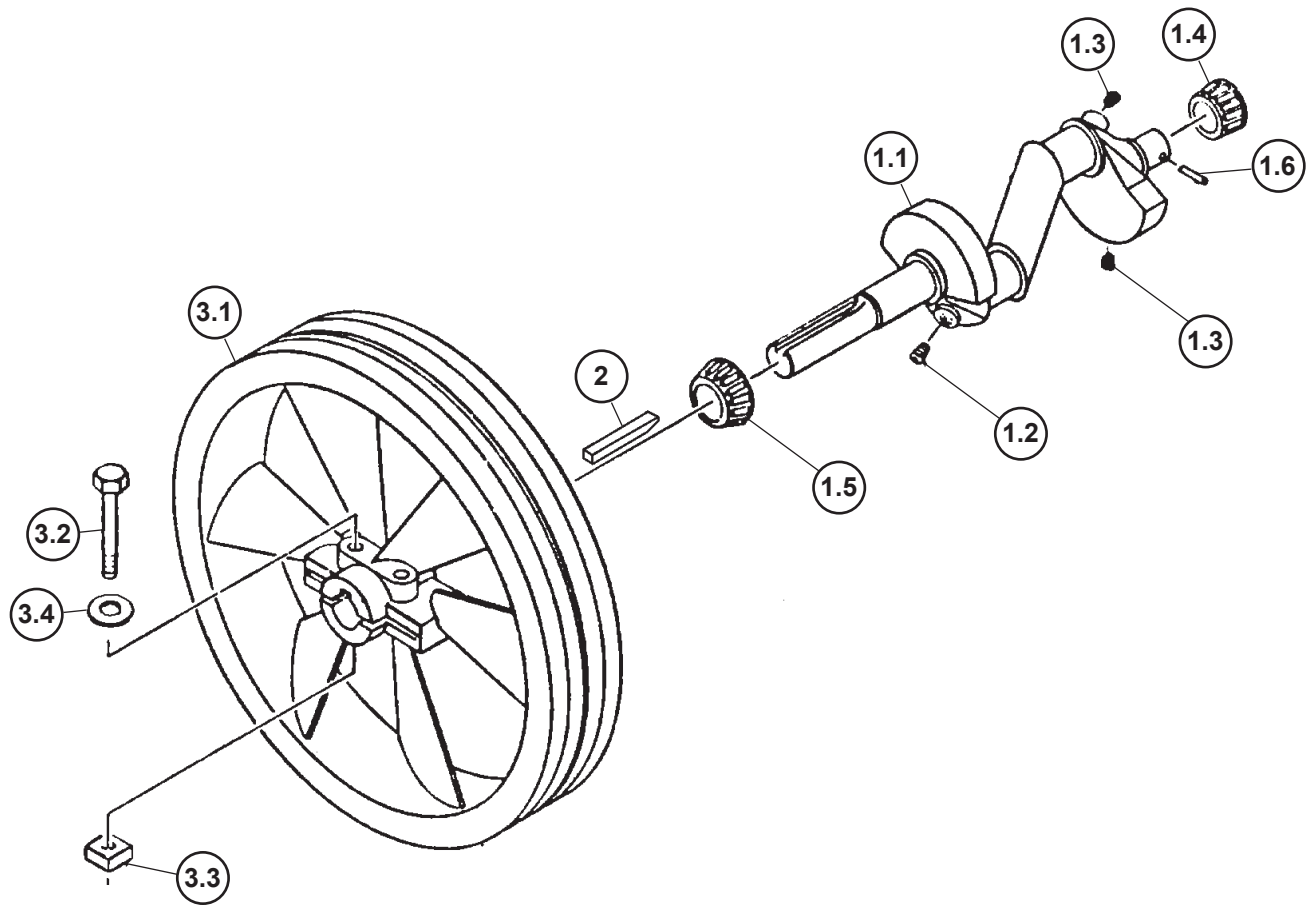


CRANKSHAFT GROUP 110251

Item Number	Qty.	Part Number	Description
1	1	110219	crankshaft assembly
1.1	1	110218	crankshaft (N.S.S.; order 110219)
1.2	1	110234	orifice, 1/8 npt
1.3	2	2755S	pipe plug, 1/8 npt
1.4	1	4019	bearing cone
1.5	1	2585	bearing cone
1.6	1	110705-F15	pin
2	1	1761	key
3	1	2917X	sheave assembly
3.1	1	2917	compressor sheave, 14", 1G,B sect, ccw (N.S.S.; order 2917X)
3.2	2	124239-001	socket head screw, 3/8-16 unc X 2.75, Grade 5 (@ 30 ft.-lbs.)
3.3	2	124372-L02	square nut, 3/8-16 unc
3.4	2	110428W038	flatwasher, 3/8

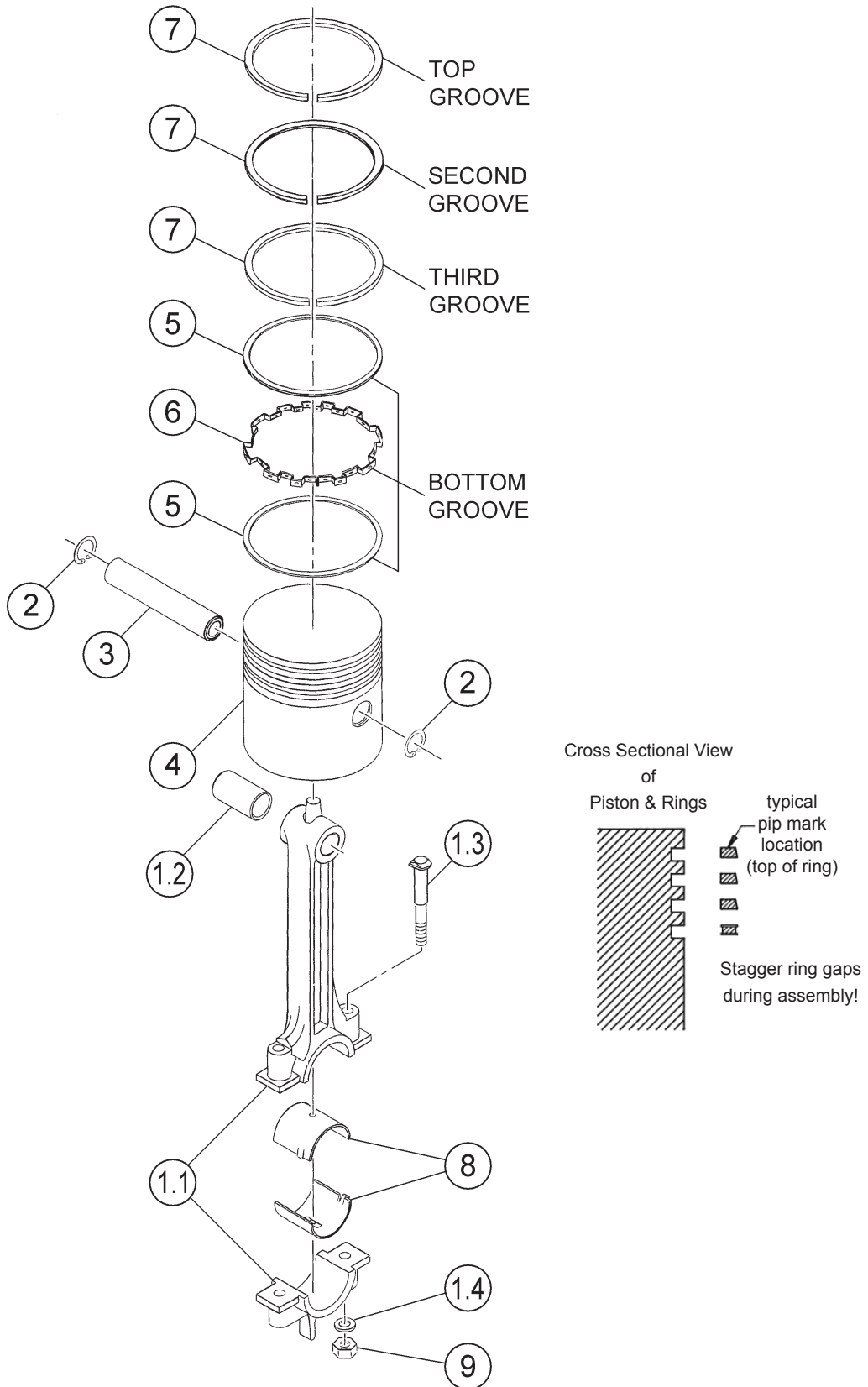
N.S.S. = Not Sold Separate

@ Indicates torque value (dry threads)



CONNECTING ROD & PISTON GROUP 2021022203

(2 required per compressor)



CONNECTING ROD & PISTON GROUP 2021022203

(2 required per compressor)

Item Number	Qty.	Part Number	Description
1	1	110703X003	connecting rod assembly (N.S.S.; order 110703X103)
1.1	1	110703-003	connecting rod (N.S.S.; order 110703X103)
1.2	1	2024224911	connecting rod bushing
1.3	2	3532	connecting rod bolt 5/16-24 unf
1.4	2	111260-002	connecting rod washer
2	2	8648	retaining ring
3	1	110190-008	piston pin
4	1	1531-001	piston
5	2	6451	oil ring rail
6	1	6450	oil ring expander
7	3	1648	compression ring
8	2	2824	con rod bearing insert (N.S.S.; order 2824PR)
9	2	124471-K08	locknut, 5/16-24 unf (@ 19 ft.-lbs.)
Maintenance Parts			
	*1	2824PR	inserts (pair), con rod bearing,(standard)
	*1	2824-010PR	inserts (pair), con rod bearing, (.010 oversize)
	1	1531-011	piston (.010 oversize)
	1	1531-021	piston (.020 oversize)
	2	6452A	Ring Set (standard) no color code includes compression ring, oil ring rails & expander (for one piston)
	2	4425-010	Ring Set (.010 oversize; light blue) includes compression rings, oil ring rails & expander (for one piston)
	2	4425-020	Ring Set (.020 oversize; yellow) includes compression rings & oil ring
	2	1531X050	Piston Assembly (standard) includes piston, piston pin, retaining rings & ring set
	2	1531X011	Piston Assembly (.010 oversize) includes piston, piston pin, retaining rings & ring set
	2	1531X021	Piston Assembly (.020 oversize) includes piston, piston pin, retaining rings & ring set
	2	4425-020	Ring Set (.020 oversize; yellow) includes piston, piston pin, retaining rings & ring set
	2	110703X103	Replacement Connecting Rod Assembly includes connecting rod assembly, locknuts & con-rod bearing inserts

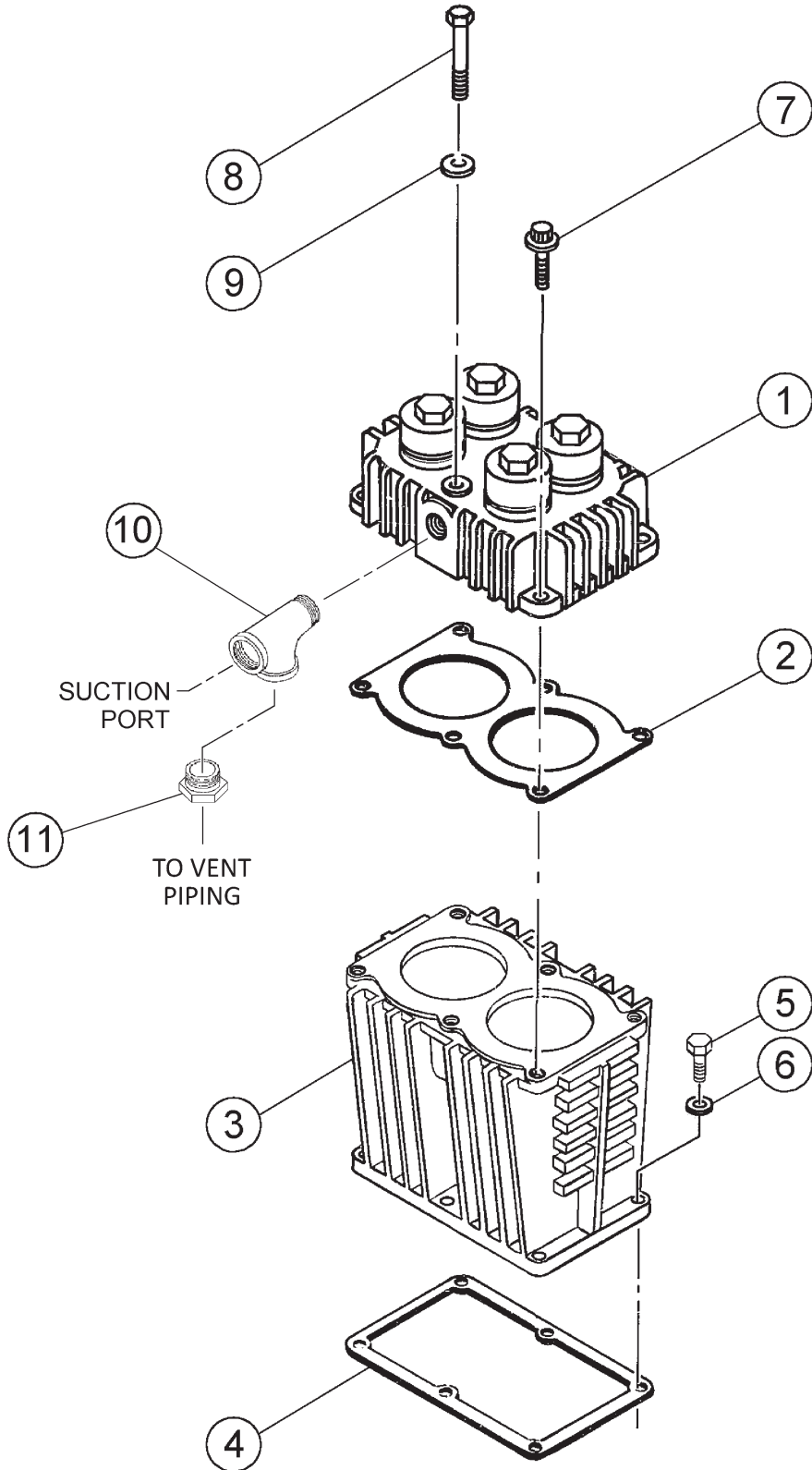
N.S.S. = Not Sold Separate

@ Indicates torque value (dry threads). Tighten multiple bolts, capscrews & hex nuts in a criss-cross or alternating pattern. Bring each fastener to the recommended torque specification in even increments.

* 1 pair required for each connecting rod assembly.

CYLINDER & HEAD GROUP 2021021903

(plain head)



CYLINDER & HEAD GROUP 2021021903

(plain head)

Item Number	Qty.	Part Number	Description
1	1	1911P	head assembly
2	1	1943-1	gasket
3	1	1913	cylinder
4	1	1594-1	gasket, cylinder
5	6	142578-L14	hex. screw, 3/8-16 unc x 1.25, grade 5 (@ 30 ft.-lbs.)
6	6	123115-06Z	lockwasher, 3/8
7	4	2024812134	counterbore screw, 3/8-16 unc x 1.00, grade 8 (@ 30 ft.-lbs.)
8	2	1936	hex. screw, 3/8-16 unc x 3.00, grade 5 (@ 30 ft.-lbs.)
9	2	1836	washer
10	1	7589	pipe tee
11	1	4717	bushing

Maintenance Parts

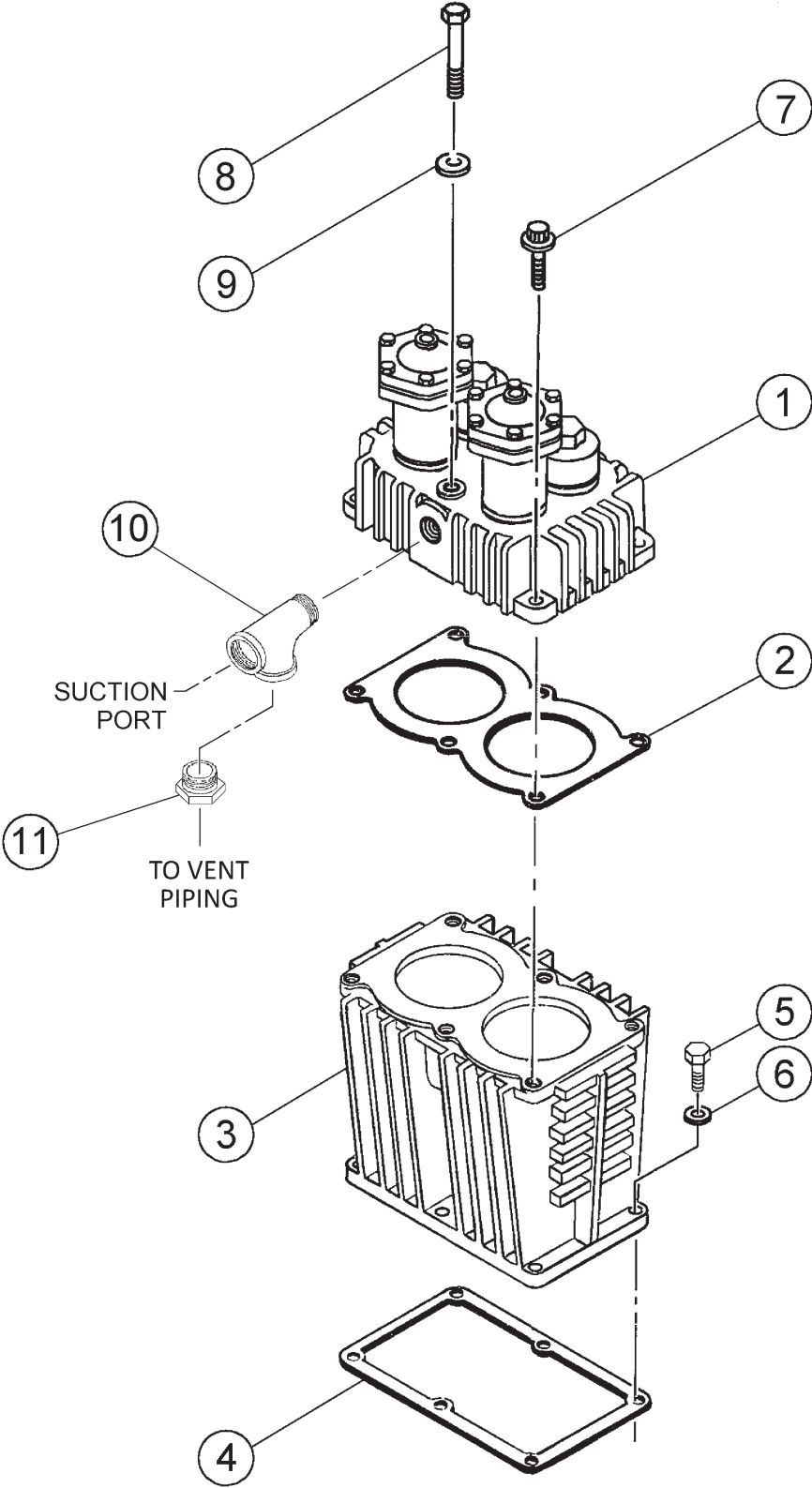
1911GP

Replacement Head Assembly
includes head assembly & head gasket

@ Indicates torque value (dry threads). Tighten multiple bolts, capscrews & hex nuts in a criss-cross or alternating pattern. Bring each fastener to the recommended torque specification in even increments.

CYLINDER & HEAD GROUP 2021022103

(head with unloaders)



CYLINDER & HEAD GROUP 2021022103

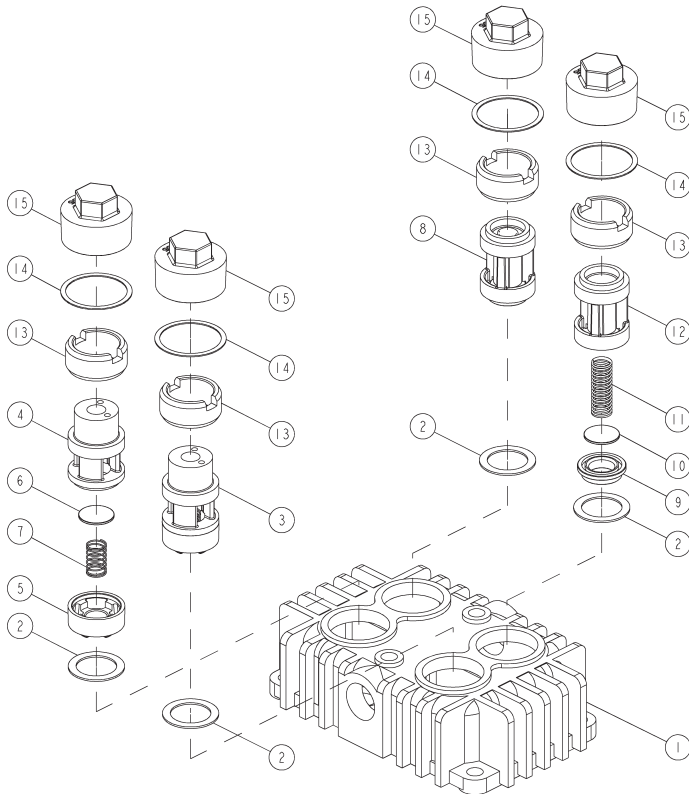
(head with unloaders)

Item Number	Qty.	Part Number	Description
1	1	1911-2UU	head assembly
2	1	1943-1	gasket
3	1	1913	cylinder
4	1	1594-1	gasket, cylinder
5	6	142578-L14	hex. screw, 3/8-16 unc x 1.25, grade 5 (@ 30 ft.-lbs.)
6	6	123115-06Z	lockwasher, 3/8
7	4	2024812134	counterbore screw, 3/8-16 unc x 1.00, grade 8 (@ 30 ft.-lbs.)
8	2	1936	hex. screw, 3/8-16 unc x 3.00, grade 5 (@ 30 ft.-lbs.)
9	2	1836	washer
10	1	7589	pipe tee
11	1	4717	bushing
			Maintenance Parts
1911GU			Replacement Head Assembly includes head assembly & head gasket

@ Indicates torque value (dry threads). Tighten multiple bolts, capscrews & hex nuts in a criss-cross or alternating pattern. Bring each fastener to the recommended torque specification in even increments.

HEAD ASSEMBLY 1911P

(plain head)

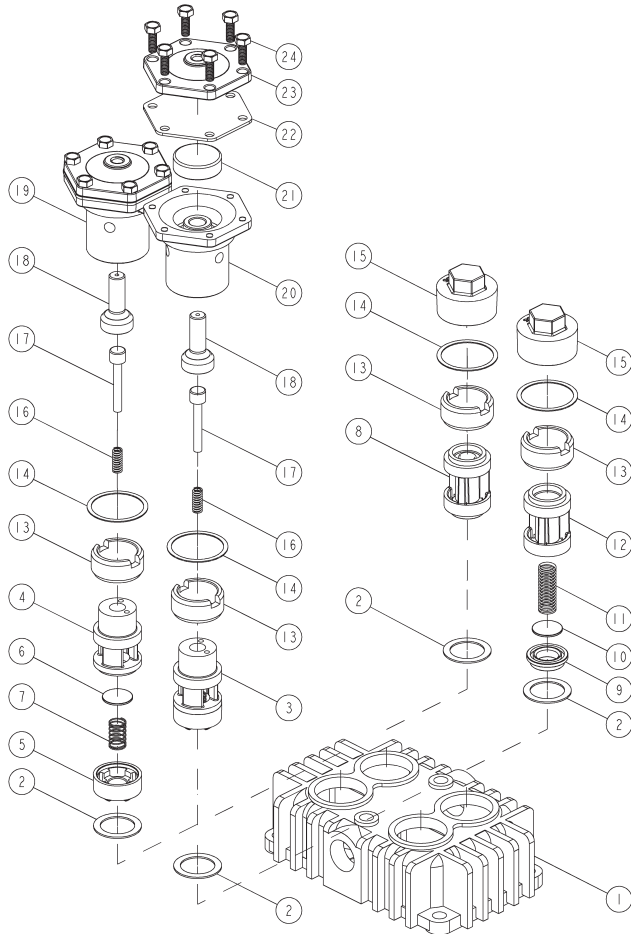


1911P HEAD ASSEMBLY, PLAIN			
ITEM	PART NUMBER	QTY	DESCRIPTION
1	1911	1	HEAD
2	1554	4	GASKET
3	4610X2	2	SUCTION VALVE ASSEMBLY
4	4610	1	VALVE SEAT
5	1549-002	1	VALVE BUMPER
6	1552-002	1	VALVE DISC
7	1202	1	SPRING, UNLOAD, PIN
8	1553X10	2	DISCHARGE VALVE AY
9	1553	1	VALVE SEAT
10	1552-002	1	VALVE DISC
11	1368	1	SPRING, UNLOAD, PIN
12	3010-002	1	VALVE BUMPER
13	3008	4	HOLD DOWN SCREW (@ 60 FT-LBS)
14	1556	4	VALVE COVER CAP GASKET
15	1555	4	CAP
MAINTENANCE PARTS			
	4610X3		REPLACEMENT SUCTION VALVE ASSEMBLY INCLUDES SUCTION VALVE ASSEMBLY AND VALVE GASKET
	1553X11		REPLACEMENT DISCHARGE VALVE ASSEMBLY INCLUDES DISCHARGE VALVE ASSEMBLY AND VALVE GASKET

@ INDICATES TORQUE VALUE (DRY THREADS). TIGHTEN MULTIPLE BOLTS, CAPSCREWS AND HEX NUTS IN A CRISS-CROSS OR ALTERNATING PATTERN. BRING EACH FASTENER TO THE RECOMMENDED TORQUE SPECIFICATIONS IN EVEN INCREMENTS.

HEAD ASSEMBLY 1911-2UU

(head with unloaders)

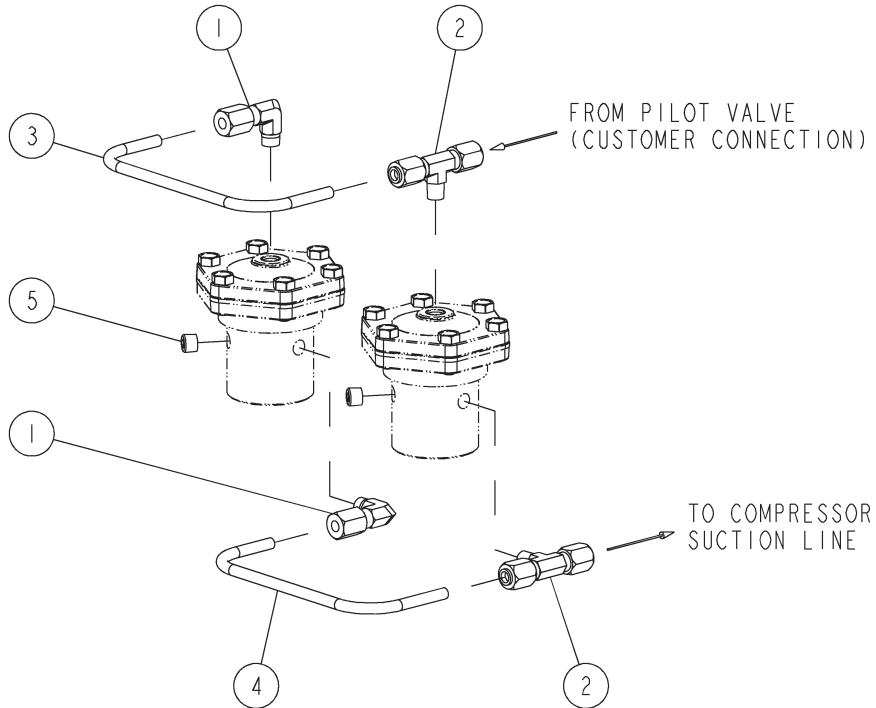


1911-2UU HEAD ASSEMBLY, LOADLESS			
ITEM	PART NUMBER	QTY	DESCRIPTION
1	1911	1	HEAD
2	1554	4	GASKET
3	4610X2	2	SUCTION VALVE ASSEMBLY
4	4610	1	VALVE SEAT
5	1549-002	1	VALVE BUMPER
6	1552-002	1	VALVE DISC
7	1202	1	SPRING, UNLOAD. PIN
8	1553X10	2	DISCHARGE VALVE AY
9	1553	1	VALVE SEAT
10	1552-002	1	VALVE DISC
11	1368	1	SPRING, UNLOAD. PIN
12	3010-002	1	VALVE BUMPER
13	3008	4	HOLD DOWN SCREW (Ø 60 FT-LBS)
14	1556	4	VALVE COVER CAP GASKET
15	1555	2	CAP
16	6945	2	SPRING, UNLOAD. PIN
17	6937	2	UNLOADER PLUNGER
18	7532X1	2	UNLOADER PISTON ASSEMBLY
19	40055-1	2	UNLOADER ASSEMBLY (Ø 75 FT-LBS)
20	7483-002	1	UNLOADER BODY
21	5910	1	UNLOADER CAP
22	1855	1	DIAPHRAGM
23	1818B	1	PLATE, COVER DIAPHRAGM
24	7499	6	SCREW (Ø 6 FT-LBS)
MAINTENANCE PARTS			
	4610X3		REPLACEMENT SUCTION VALVE ASSEMBLY INCLUDES SUCTION VALVE ASSEMBLY AND VALVE GASKET
	1553X11		REPLACEMENT DISCHARGE VALVE ASSEMBLY INCLUDES DISCHARGE VALVE ASSEMBLY AND VALVE GASKET
	7483X1		REPLACEMENT UNLOADER ASSEMBLY INCLUDES UNLOADER PISTON ASSEMBLY, UNLOADER ASSEMBLY, AND VALVE GASKET
PARTS FOR USE WITH DIESTER OR PHOSPHATE ESTER SYNTHETIC BASED LUBRICANTS			
22	1855S	2	DIAPHRAGM

Ø INDICATES TORQUE VALUE (DRY THREADS). TIGHTEN MULTIPLE BOLTS, CAPSCREWS AND HEX NUTS IN A CRISS-CROSS OR ALTERNATING PATTERN. BRING EACH FASTENER TO THE RECOMMENDED TORQUE SPECIFICATIONS IN EVEN INCREMENTS.

CONTROL GROUP 2021092101

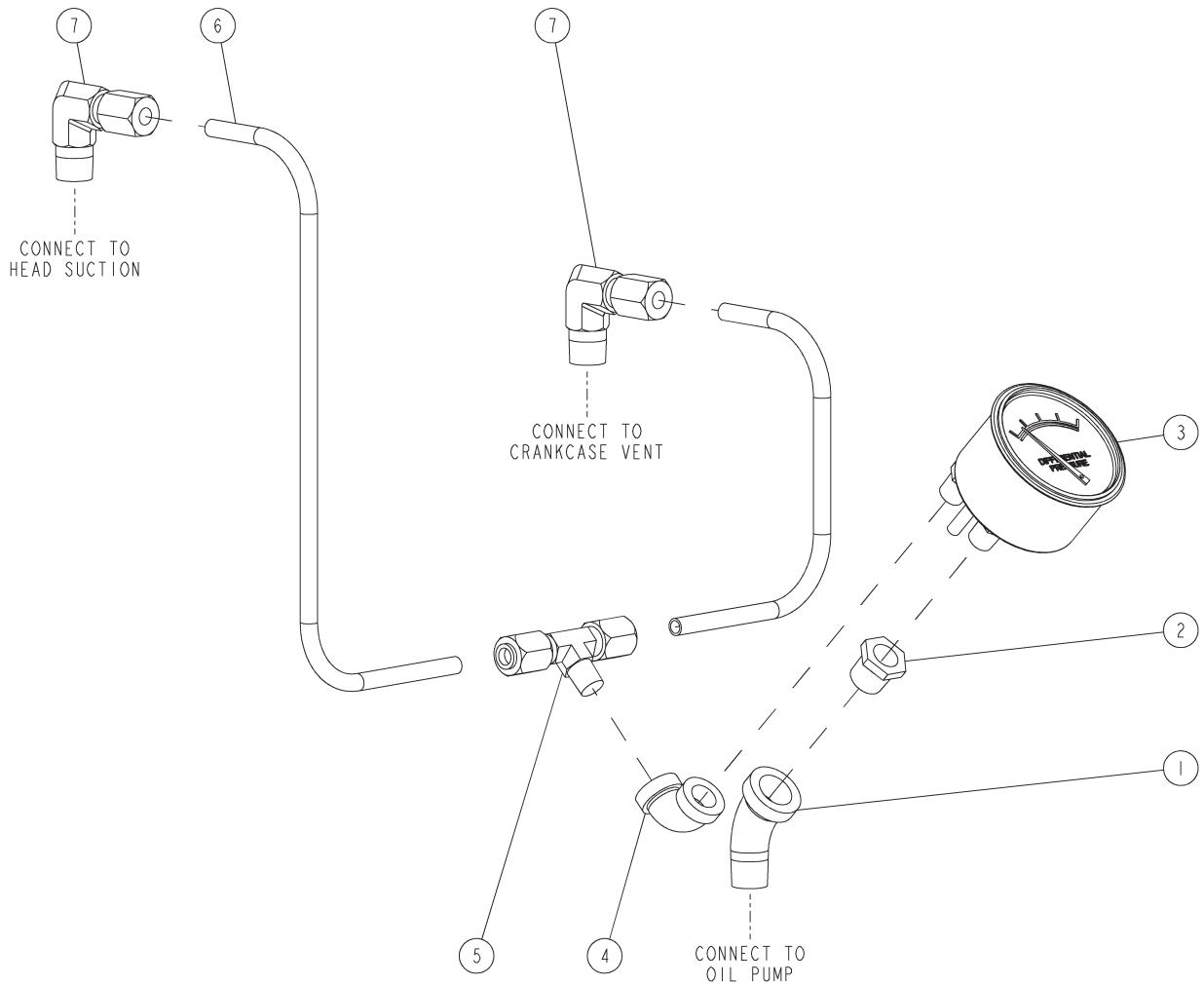
(head with unloaders)



2021092101 GROUP, CONTROL, QRNG UNLOADERS			
ITEM	PART NUMBER	QTY	DESCRIPTION
1	110419-004	2	TUBE FITTING, 90° ELBOW, 1/4T x 1/8MP
2	116268-002	2	TUBE FITTING, MALE BRANCH TEE, 1/4T X 1/8P
3	110421	1	1/4" STEEL TUBE (1 FT)
4	110421	1	1/4" STEEL TUBE (1 FT)
5	2755S	4	PIPE PLUG, 1/8 NPT

VENT PIPING GROUP 2021110801

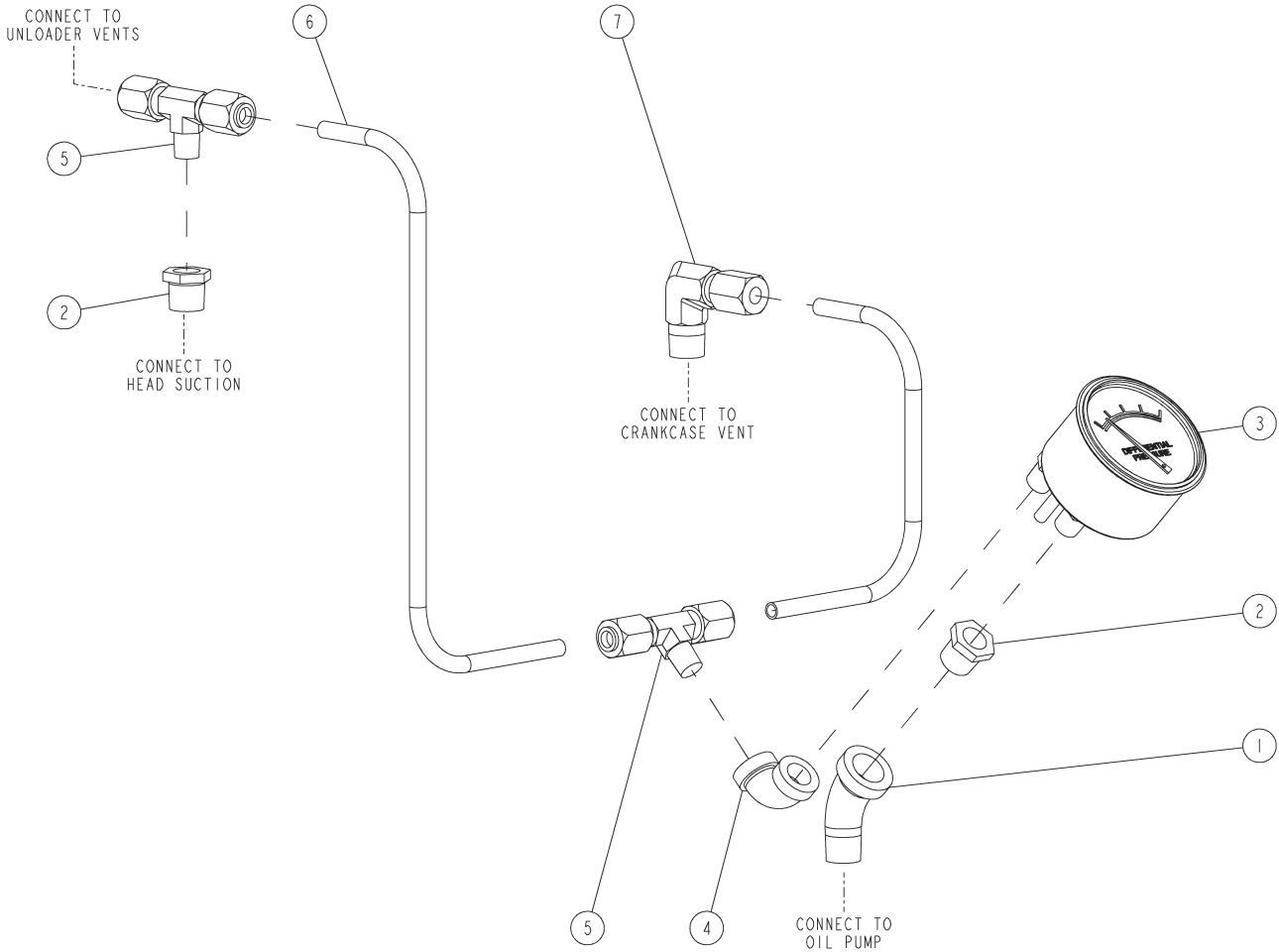
(plain head)



2021110801 CRANKCASE VENT PIPING GROUP			
ITEM	PART NUMBER	QTY	DESCRIPTION
1	123826-007	1	PIPE ELBOW, 1/4 NPT X 1/4 NPT, 45
2	125868-001	1	PIPE BUSHING, 1/4 NPT X 1/8 NPT
3	124972-001	1	OIL PRESSURE DIFFERENTIAL GAUGE
4	8225	1	PIPE ELBOW, 1/8 NPT X 1/8 NPT, 90°
5	116268-002	1	TUBE FITTING, MALE BRANCH TEE, 1/4T X 1/8P
6	110421	1	1/4" STEEL TUBE, 4 FT
7	110419-005	2	TUBE FITTING, 90° ELBOW, 1/4Tx1/4MP

VENT PIPING GROUP 2021110802

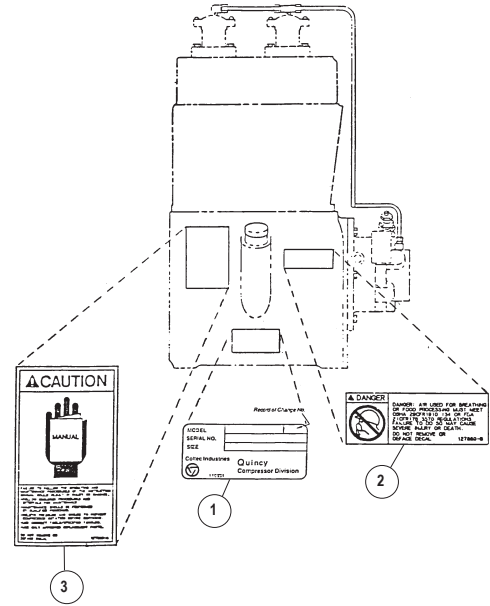
(head with unloaders)



2021110802 CRANKCASE VENT PIPING GROUP			
ITEM	PART NUMBER	QTY	DESCRIPTION
1	123826-007	1	PIPE ELBOW, 1/4 NPT X 1/4 NPT, 45
2	125868-001	2	PIPE BUSHING, 1/4 NPT X 1/8 NPT
3	124972-001	1	OIL PRESSURE DIFFERENTIAL GAUGE
4	8225	1	PIPE ELBOW, 1/8 NPT X 1/8 NPT, 90°
5	116268-002	2	TUBE FITTING, MALE BRANCH TEE, 1/4T X 1/8P
6	110421	1	1/4" STEEL TUBE, 4 FT
7	110419-005	1	TUBE FITTING, 90° ELBOW, 1/4T X 1/4MP

Recommended Spare Parts			
Item #	Qty.	Part Number	Description
1		4610X2	replacement suction valve assy.
1		1553X10	replacement discharge valve assy.
1		124972-001	oil pressure differential gauge
1		2022132203	oil pump repair kit
1		5508G	gasket set
1		2023346104	shaft sleeve
1		2025065701	oil seal installation tool

"O" Ring Kit 2022131402			
Item #	Qty.	Part Number	Description
1		22749-011	"o"ring, 1/16 wide x .44 o.d.
2		22749-112	"o"ring, 3/32 wide x .69 o.d.
1		22749-115	"o"ring, 3/32 wide x .88 o.d.
1		22749-116	"o"ring, 3/32 wide x .94 o.d.
1		22749-152	"o"ring, 3/32 wide x 3.44 o.d.
1		0663211860	"o"ring, 1/16 wide x 2.62 o.d.
1		2024721601	oil seal



Decals			
Item #	Qty.	Part Number	Description
1	1	110831	serial number & nameplate
2	1	127889-A	decal, CAUTION!, MANUAL
3	1	127889-B	decal, DANGER!, "Air from this...."

QUIN-CIP LUBRICANT

Refer to the chart below to order Quin-Cip-D or Quin-Cip compressor lubricant from your local authorized Quincy distributor.

Quin-Cip-D Lubricant (synthetic)	
SAE 30 (ISO 100)	
Quart	115468Q
Case (12 Qts.)	115438C
Quin-Cip Lubricant	
SAE 10W (ISO 32)	
Quart	112541Q032
Case (12 Qts.)	112541C032
SAE 20 (ISO 68)	
Quart	112542Q068
Case (12 Qts.)	112542C068
SAE 30 (ISO 100)	
Quart	112543Q100
Case (12 Qts.)	112543C100

Oil Pump Repair Kit 2022132203			
Item #	Qty.	Part Number	Description
1		22749-152	"o"ring
1		22749-112	"o"ring
1		22749-011	"o"ring
1		160003	oil pump gerotor
1		160075-001	key
1		6285	retaining ring
1		2024200202	driveshaft

Gasket Set 5508G			
Item #	Qty.	Part Number	Description
4		1554	valve gasket
4		1556	valve gasket
1		1594-1	gasket
1		1598	gasket, inspection plate
2		1832	shim, bearing adj., .005, steel
2		1832A	shim, bearing adj., .007, steel
1		1832B	shim, bearing adj., .020, steel
6		1832C	shim, bearing adj., .005, paper
2		1832D	shim, bearing adj., .002 stl.
1		1943-1	head gasket
1		6274-1	bearing carrier gasket

QUINCY COMPRESSOR

STANDARD TERMS AND CONDITIONS

LEGAL EFFECT: Except as expressly otherwise agreed to in writing by an authorized representative of Seller, the following terms and conditions shall apply to and form a part of this order and any additional and/or different terms of Buyer's purchase order or other form of acceptance are rejected in advance and shall not become a part of this order.

The rights of Buyer hereunder shall be neither assignable nor transferable except with the written consent of Seller.

This order may not be canceled or altered except with the written consent of Seller and upon terms which will indemnify Seller against all loss occasioned thereby. All additional costs incurred by Seller due to changes in design or specifications, modification of this order or revision of product must be paid for by Buyer.

In addition to the rights and remedies conferred upon Seller by this order, Seller shall have all rights and remedies conferred at law and in equity and shall not be required to proceed with the performance of this order if Buyer is in default in the performance of such order or of any other contract or order with seller.

TERMS OF PAYMENT: Unless otherwise specified in the order acknowledgment, the terms of payment shall be 1% 15, net forty-five (45) days after shipment. These terms shall apply to partial as well as complete shipments. If any proceeding be initiated by or against Buyer under any bankruptcy or insolvency law, or in the judgment of Seller the financial condition of Buyer, at the time the equipment is ready for shipment, does not justify the terms of payment specified, Seller reserves the right to require full payment in cash prior to making shipment. If such payment is not received within fifteen (15) days after notification of readiness for shipment, Seller may cancel the order as to any unshipped item and require payment of its reasonable cancellation charges.

If Buyer delays shipment, payments based on date of shipment shall become due as of the date when ready for shipment. If Buyer delays completion of manufacture, Seller may elect to require payment according to percentage of completion. Equipment held for Buyer shall be at Buyer's risk and storage charges may be applied at the discretion of Seller.

Accounts past due shall bear interest at the highest rate lawful to contract for but if there is no limit set by law, such interest shall be eighteen percent (18%). Buyer shall pay all cost and expenses, including reasonable attorney's fees, incurred in collecting the same, and no claim, except claims within Seller's warranty of material or workmanship, as stated below, will be recognized unless delivered in writing to Seller within thirty (30) days after date of shipment.

TAXES: All prices exclude present and future sales, use, occupation, license, excise, and other taxes in respect of manufacture, sales or delivery, all of which shall be paid by Buyer unless included in the purchase price at the proper rate or a proper exemption certificate is furnished.

ACCEPTANCE: All offers to purchase, quotations and contracts of sales are subject to final acceptance by an authorized representative at Seller's plant.

DELIVERY: Except as otherwise specified in this quotation, delivery will be F. O. B. point of shipment. In the absence of exact shipping instruction, Seller will use its discretion regarding best means of insured shipment. No liability will be accepted by Seller for so doing. All transportation charges are at Buyer's expense. Time of delivery is an estimate only and is based upon the receipt of all information and necessary approvals. The shipping schedule shall not be construed to limit seller in making commitments for materials or in fabricating articles under this order in accordance with Seller's normal and reasonable production schedules.

Seller shall in no event be liable for delays caused by fires, acts of God, strikes, labor difficulties, acts of governmental or military authorities, delays in transportation or procuring materials, or causes of any kind beyond Seller's control. No provision for liquidated damages for any cause shall apply under this order. Buyer shall accept delivery within thirty (30) days after receipt of notification of readiness for shipment. Claims for shortages will be deemed to have been waived if not made in writing with ten (10) days after the receipt of the material in respect of which any such shortage is claimed. Seller is not responsible for loss or damage in transit after having received "In Good Order" receipt from the carrier. All claims for loss or damage in transit should be made to the carrier.

TITLE & LIEN RIGHTS: The equipment shall remain personal property, regardless of how affixed to any realty or structure. Until the price (including any notes given therefore) of the equipment has been fully paid in cash, Seller shall, in the event of Buyer's default, have the right to repossess such equipment.

PATENT INFRINGEMENT: If properly notified and given an opportunity to do so with friendly assistance, Seller will defend Buyer and the ultimate user of the equipment from any actual or alleged infringement of any published United States patent by the equipment or any part thereof furnished pursuant hereto (other than parts of special design, construction, or manufacture specified by and originating with Buyer), and will pay all damages and costs awarded by competent court in any suit thus defended or of which it may have had notice and opportunity to defend as aforesaid.

STANDARD WARRANTY: Seller warrants that products of its own manufacture will be free from defects in workmanship and materials under normal use and service for the period specified in the product instruction manual. Warranty for service parts will be Ninety (90) days from date of factory shipment. Electric Motors, gasoline and diesel engines, electrical apparatus and all other accessories, components and parts not manufactured by Seller are warranted only to the extent of the original manufacturer's warranty.

Notice of the alleged defect must be given to the Seller, in writing with all identifying details including serial number, type of equipment and date of purchase within thirty (30) days of the discovery of the same during the warranty period.

Seller's sole obligation on this warranty shall be, at its option, to repair or replace or refund the purchase price of any product or part thereof which proves to be defective. If requested by Seller, such product or part thereof must be promptly returned to seller, freight prepaid, for inspection.

Seller warrants repaired or replaced parts of its own manufacture against defects in materials and workmanship under normal use and service for ninety (90) days or for the remainder of the warranty on the product being repaired.

This warranty shall not apply and Seller shall not be responsible or liable for:

- (a) Consequential, collateral or special losses or damages;
- (b) Equipment conditions caused by fair wear and tear, abnormal conditions of use, accident, neglect or misuse of equipment, improper storage or damage resulting during shipping;
- (c) Deviation from operating instructions, specifications or other special terms of sale;
- (d) Labor charges, loss or damage resulting from improper operation, maintenance or repairs made by person(s) other than Seller or Seller's authorized service station.

In no event shall Seller be liable for any claims whether arising from breach of contract or warranty or claims of negligence or negligent manufacture in excess of the purchase price.

THIS WARRANTY IS THE SOLE WARRANTY OF SELLERS AND ANY OTHER WARRANTIES, WHETHER EXPRESS OR IMPLIED IN LAW OR IMPLIED IN FACT, INCLUDING ANY WARRANTIES OF MERCHANTABILITY AND FITNESS FOR PARTICULAR USE ARE HEREBY SPECIFICALLY EXCLUDED.

LIABILITY LIMITATIONS: Under no circumstances shall the Seller have any liability for liquidated damages or for collateral, consequential or special damages or for loss of profits, or for actual losses or for loss of production or progress of construction, whether resulting from delays in delivery or performance, breach of warranty, negligent manufacture or otherwise.

ENVIRONMENTAL AND OSHA REQUIREMENTS: At the time of shipment of the equipment from the factory, Quincy Compressor / Ortman Fluid Power will comply with the various Federal, State and local laws and regulations concerning occupational health and safety and pollution. However, in the installation and operation of the equipment and other matters over which the seller has no control, the Seller assumes no responsibility for compliance with those laws and regulations, whether by the way of indemnity, warranty or otherwise.

June 30, 2003



Reciprocating / Systems: 217.222.7700
E-mail: info@quincycompressor.com
Website: quincycompressor.com

